

## Lever latches with fold-away knob

Technopolymer

### MATERIAL

Rotor, stator, fold-away knob, closing lever and nut (M22x1.5) in glass-fibre reinforced polyamide based (PA) technopolymer certified self-extinguish UL-94 V0, black colour, matte finish.

### PACKING RING

SBR rubber.

### INTERNAL TOOTHED WASHER

AISI 304 stainless steel.

### SELF-TAPPING SCREW

AISI 304 stainless steel.

### ROTATION

90°.

### IP PROTECTION

IP 65 protection class, according to table EN 60529 (see page A23).

### TECHNICAL DATA

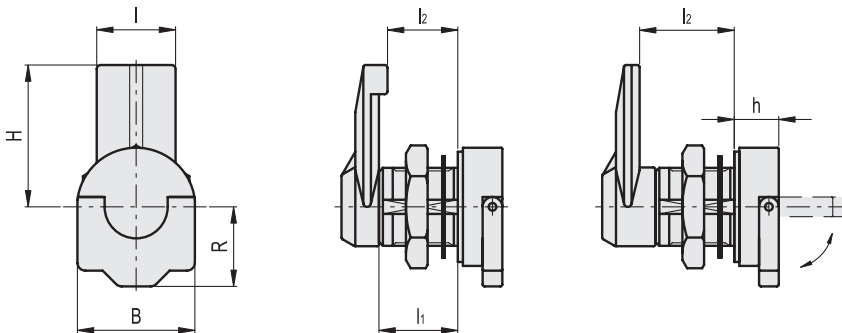
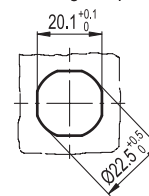
The "V0" certification in accordance with UL-94 V (Underwriters Laboratories) (see Technical Data on page A5) indicates that on a plastic test sample with specific shape and dimensions, in the vertical position, the flame is extinguished within 10 seconds, without generating incandescent drops.

### SPECIAL EXECUTIONS ON REQUEST

Closing lever with I2 ledge in other dimensions.



Drilling template



Code	Description	H	B	R	l	l1	l2	h	⚖
421243	CMT.32-18 AE-V0	32	30	20	20	20	18	11	27
421241	CMT.32-20 AE-V0	32	30	20	20	20	20	11	26
421245	CMT.32-24 AE-V0	32	30	20	20	20	24	11	28
421247	CMT.32-32 AE-V0	32	30	20	20	20	32	11	30